

**Technical Data**

For detailed data and product description refer to the data sheets at [www.pepperl-fuchs.com](http://www.pepperl-fuchs.com)

**General Data**

Installation	flush
Switching element function	NAMUR, NC
Nominal voltage	8.2 V (R <sub>i</sub> approx. 1 kΩ)
Current consumption	
Measuring plate not detected	≥ 3 mA
Measuring plate detected	≤ 1 mA
Suitable for 2:1 technology	✓, Reverse polarity protection diode not required
Ambient temperature	-25 ... 100 °C (-13 ... 212 °F)
Housing material	Stainless steel 1.4305 / AISI 303
Protection degree	IP67

**Model Number**

		<b>NJ0,8-4,5-N</b>	<b>NJ0,8-5GM-N</b>	<b>NJ1,5-6,5-N</b>	<b>NCB1,5-6,5M25-N0</b>	<b>NCB1,5-6,5M25-N0-V1</b>
Rated operating distance	green = preferred type	●	●			
	0.8 mm					
	1.5 mm			●	●	●
Switching frequency	0 ... 2000 Hz	●	●	●	●	●
	0 ... 5000 Hz					
Indication of the switching state	LED, yellow				●	
	Multihole-LED, yellow					●
Connection type	Device connector M12 x 1, 4-pin cable PVC, 2 m	●	●	●	●	●

**Properties**

- Ø4.5 mm / Ø5 mm and Ø6.5 mm housing versions
- 0.8 mm and 1.5 mm flush mountable versions
- DC, NAMUR interface
- Cable and connector versions

**Your Benefit**

- ATEX approved sensor applicable up to zone 0 and zone 20
- Usable up to SIL2 acc. to IEC 61508

**Use in the Hazardous Area**

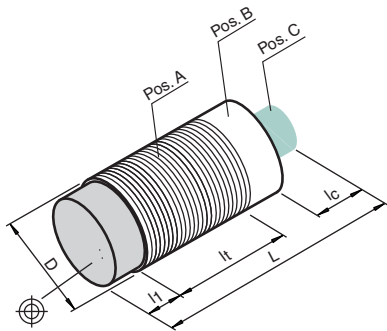
Use in the hazardous area	see instruction manuals	●	●	●	●	●
Category	1G; 2G; 1D		●	●		
	2G	●			●	●

**Approvals and Certificates**

Control drawing	116-0165F	●	●			
UL approval	cULus Listed, General Purpose	●	●	●	●	●
CSA approval	cCSAus Listed, General Purpose	●	●	●	●	●
CCC approval	Products with a maximum operating voltage of ≤36 V do not bear a CCC marking because they do not require approval.					

**Dimensions**

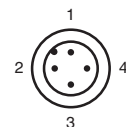
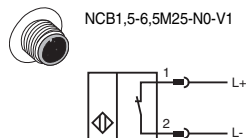
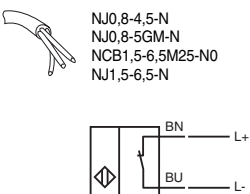
Length L [mm]		20	22	25	47
Diameter D [mm]		4.5	5	6.5	6.5/12
Thread length l <sub>t</sub> [mm]		0	17	0	
Cap length l <sub>1</sub> [mm]			0		
Connector area l <sub>c</sub> [mm]			0		6
LED position	Pos.		-	A	B



**Accessories** This and more accessories can be found in chapter 10

<b>V1-G-BK</b>	4-pin, M12 female field-attachable connector
<b>BF 4,5</b>	Mounting flange, 4.5 mm
<b>BF 5</b>	Mounting flange, 5 mm
<b>BF 6,5</b>	Mounting flange, 6.5 mm
<b>V1-W-BK</b>	4-pin, M12 female field-attachable connector
<b>V1-W-N-2M-PUR</b>	Cable socket, M12, 2-pin, NAMUR, PUR cable
<b>V1-G-N-2M-PUR</b>	Cable socket, M12, 2-pin, NAMUR, PUR cable

**Electrical Connection**



Wire colors in accordance with EN 60947-5-6

1	BN	(brown)
2	BU	(blue)